

Guidelines of Implementation for EDIFACT SUBSET

EDITEC Notification of Delivery



Deutscher Großhandelsverband Haustechnik e.V.



**ARGE Neue Medien
der deutschen SHK-Industrie e. V.**



DESADV / D.96B

Version 3.2 / November 2005

Table of Contents – Subset “Notification of Delivery”

| | |
|---|----------|
| 1. INTRODUCTION..... | 2 |
| 2. EXPLANATION..... | 3 |
| 3. INSTRUCTIONS FOR USAGE..... | 6 |
| 4. MESSAGE STRUCTURE DIAGRAMM..... | 7 |
| 5. MESSAGE STRUCTURE OF THE SUBSET..... | 8 |
| UNA K 1 PRESETTING OF SEPARATORS:..... | 8 |
| UNB M 1 USAGE DATA HEAD SEGMENT..... | 9 |
| UNH M 1 MESSAGE HEAD SEGMENT..... | 11 |
| BGM M 1 BEGINNING OF MESSAGE | 12 |
| DTM K 4 DATE/TIME/PERIOD SPECIFICATIONS..... | 13 |
| NAD M 1 NAME AND ADDRESS..... | 14 |
| RFF M 1 REFERENCE DATA..... | 16 |
| CTA M 1 CONTACT INFORMATION | 17 |
| COM K 4 COMMUNICATION CONNECTION..... | 17 |
| TDT M 1 TRANSPORT DATA..... | 18 |
| CPS M 1 HIERARCHY OF PACKAGING OF A SHIPMENT..... | 20 |
| PAC M 1 PACKAGE / PACKAGING..... | 22 |
| MEA K 5 MEASURES AND WEIGHTS..... | 23 |
| PCI M 1 PACKAGE DESIGNATION..... | 25 |
| GIN M 1 GOODS IDENTIFICATION NUMBER..... | 26 |
| LIN M 1 LINE ITEM NUMBER..... | 27 |
| PIA K 10 ADDITIONAL PRODUCT IDENTIFICATION..... | 28 |
| QTY K 1 QUANTITY..... | 31 |
| RFF M 1 REFERENCE DATA..... | 32 |
| QVR M 1 QUANTITY VARIATIONS..... | 33 |
| DTM K 1 DATE/TIME/PERIOD SPECIFICATIONS..... | 34 |
| UNT M 1 MESSAGE END SEGMENT..... | 35 |
| UNZ M 1 USER DATA – END SEGMENT..... | 35 |

1. Introduction

The EDIFACT Subset at hand, concerning the message type „Notification of Delivery“ was provided by ITEK on behalf of the Arbeitsgemeinschaft Neue Medien der deutschen SHK-Industrie e.V. and the Deutscher Großhandelsverband Haustechnik e.V.

ITEK
Technologiepark 19
33100 Paderborn

Telephone: (0 52 51) 16 14–0
Facsimile: (0 52 51) 16 14–99
E-Mail: editec@itekgbh.de

The EDIFACT Subset is based on the EDIFACT-Syntax-Version 3 and the following public documents:

- EDIFACT – Standardised message type „DESADV“
- UN/EDIFACT Directory 96 B, UN/ECE/TRADE/WP.4
- EDIFACT Application Guidelines Service Segments, Draft DIN 16560-Part 1, February 1994
- UN/EDIFACT Code List D.97A

Paderborn, July 2002

2. Explanation

The EDITEC Notification of Delivery contains details to goods ready for shipment. These pieces of information are either mere data on delivery notes (articles with name and quantity), or these are complemented by packaging hierarchies and the according numeration via the so called serial shipping container code. It must be pointed out that the Notification of Delivery should be send to the addressee in advance of the physical arrival of the goods. This way, the addressee will be able to use the information to prepare the receipt of the goods.

In detail, information about line items and packages may be given. The following data shall be provided for the addressee:

1. At what time and date were the goods shipped, respectively when will they be disposed for delivery?
2. How are the goods packaged, and which package contains which item?
3. Consequently, the addressee is able to optimize his goods inward logistics, as well as conduct a goods inward test.
4. In addition, there is the possibility of using the Notification of Delivery as a means of invoice validation.

It is recommended that the serial shipping container code (SSCC), which is given as a bar-code in the EAN-128 standard is used to mark the packaging units (Packages). By the application of bar code scanners, the receipt of goods may be processed quickly and effectively.

Apart from the presentation of the article number, the number of the shipping unit is another variant which can be processed in the EAN-128 Standard.

In comparison to the EAN article number (international article number of the shipping unit) which gives the EAN data designator 01 in advance, the number of the shipping unit is marked by the EAN data designator 00.

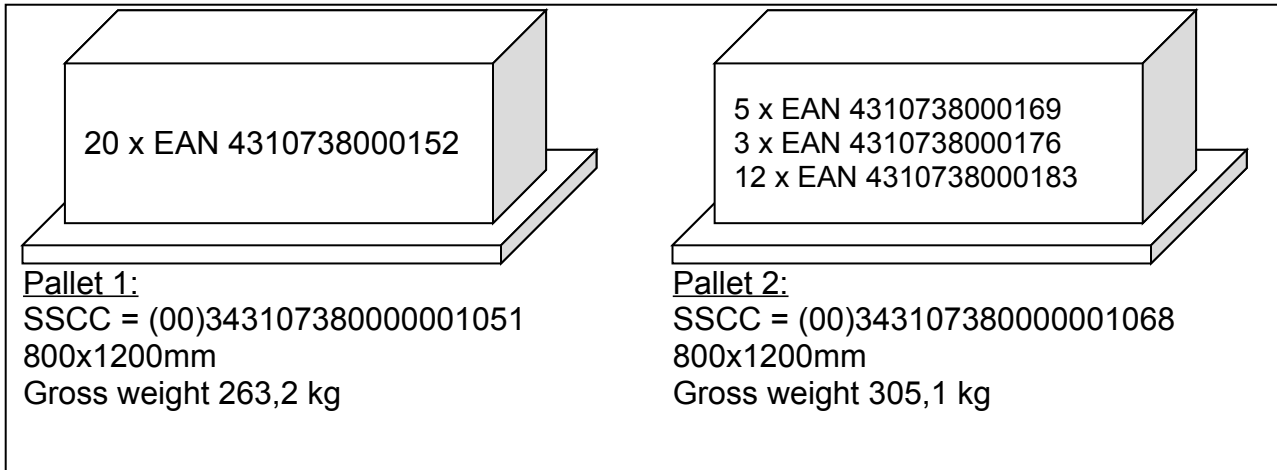
By means of the Notification of Delivery, the inner hierarchic structure of a shipment may be described. It starts on the highest level with the shipment and ends on the lowest level with the line item (see examples on pages 4 and 20).

However, the indication of the inner hierarchic relationship of a shipment is not mandatory. A simple and reasonable use of the Notification of Delivery is made up by the indication of all positions subject to delivery and the related relevant data (article number, quantity etc.) of a shipment.

How to use the hierarchy – Example:

The shipment confirmation refers to a shipment of two pallets. Each pallet is distinctly identified by a serial shipping container code (SSCC).

The first pallet is identified by the SSCC (00)343107380000001051. It consists of 20 card-



Partition of the example shipment

board boxes with the EAN 4310738000152. The pallet is a standard pallet of 800 mm x 1.200 mm linear dimension and a gross weight of 263,2 kg. The assumption is that each cardboard box holds a single article, only.

The second pallet is identified by the NVE / SSCC (00)343107380000001068. It consists of 5 cardboard boxes with the product of the EAN 4310738000169, 3 cardboard boxes of the EAN 4310738000176 and 12 cardboard boxes of the EAN 4310738000183. The pallet is a standard pallet of 800 mm x 1.200 mm linear dimension and a gross weight of 305,1 kg. Once again, each cardboard box holds a single article, only.

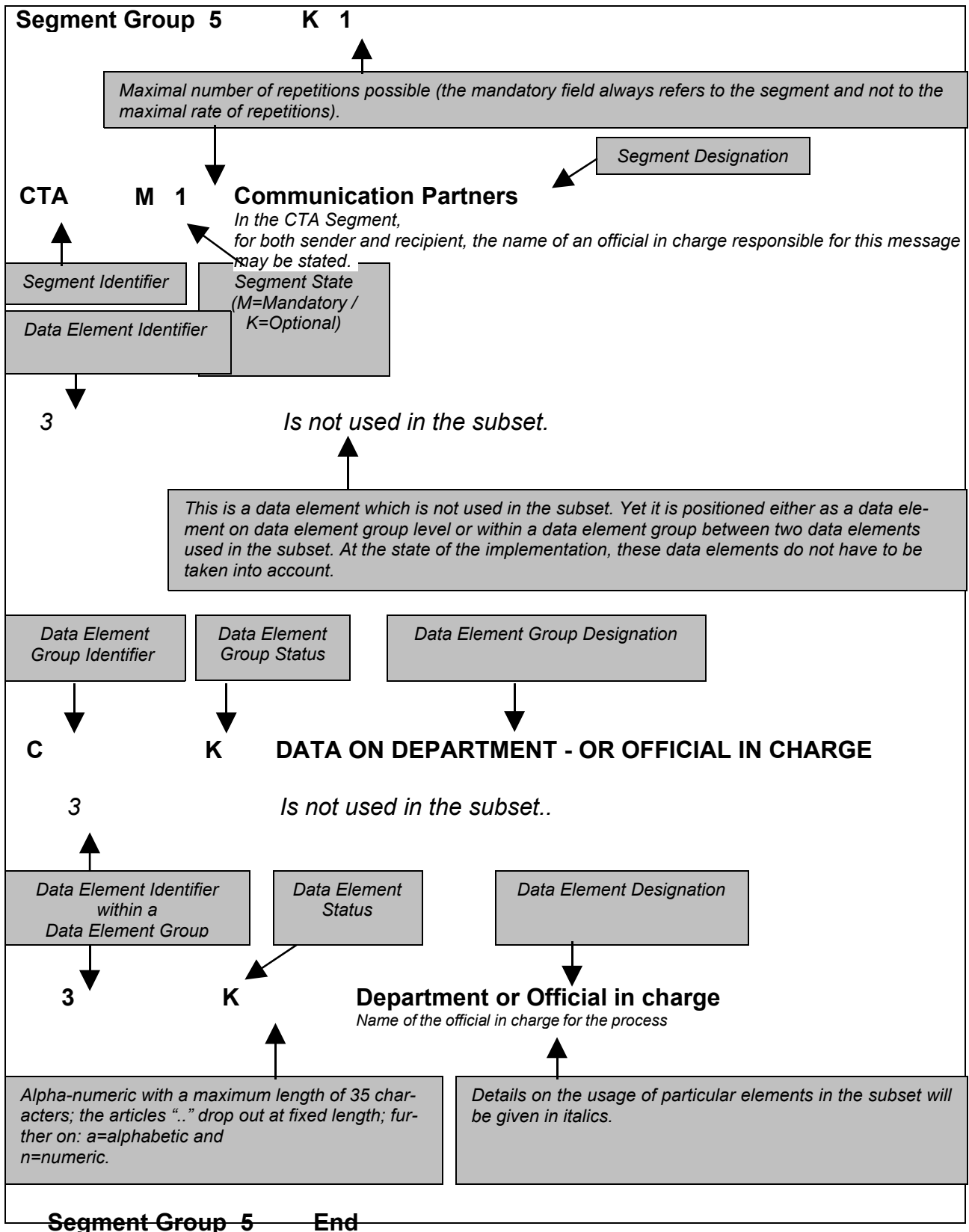
The example describes a shipment consisting of two pallets. It provides for each pallet the type of pallet, measures and weights as well as the distinct identification number (serial shipping container code; SSCC). The content of each pallet is then described by the EAN of the units contained.

The EDIFACT file referring to this example is constructed as follows:

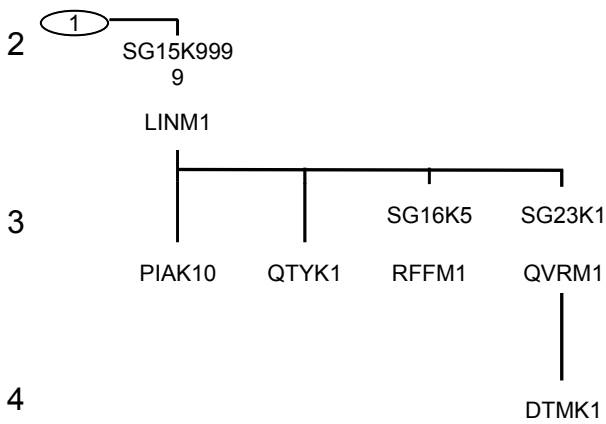
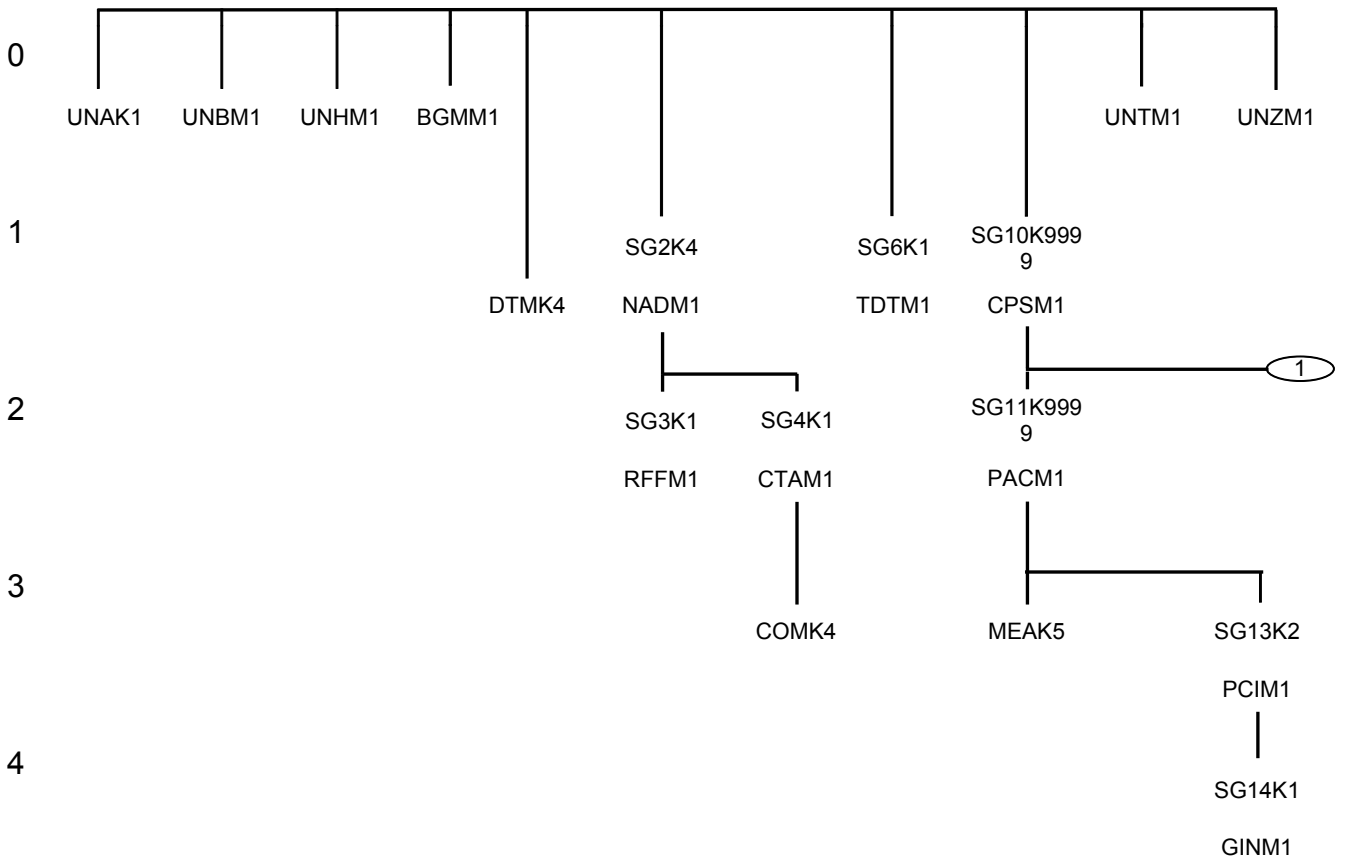
| | |
|------------------------------|---|
| ... | |
| CPS+1' | Complete Shipment |
| PAC+2++PN' | 2 pallets |
| CPS+2+1' | Pallet 1 of the shipment |
| PAC+1++PN' | Packaging pallet 1 |
| MEA+AAE+BW+KGM:263,2' | Gross weight of pallet 1 |
| PCI+33E' | |
| GIN+BJ+00343107380000001051' | NVE/SSCC of pallet 1 |
| PAC+20++CT' | Pallet 1 contains 20 cardboard boxes.. |
| LIN+1++4310738000152:EN::89' | ..with the article of the EAN 4310738000152 |
| QTY+12:20' | Delivery quantity 20 |

| | |
|------------------------------|--|
| CPS+3+1' | Pallet 2 of the shipment |
| PAC+1++PN' | Packaging Pallet 2 |
| MEA+AAE+BW+KGM:305,1' | Gross weight pallet 2 |
| PCI+33E' | Pallet provided with SSCC |
| GIN+BJ+0034310738000001068' | NVE/SSCC of pallet 2 |
| PAC+20++CT' | Pallet 2 contains 20 cardboard boxes.. |
| LIN+2++4310738000169:EN::89' | ..thereof article 4310738000169.. |
| QTY+12:5' | ..Delivery quantity 5 |
| LIN+3++4310738000176:EN::89' | ..thereof article 4310738000176.. |
| QTY+12:3' | ..Delivery quantity 3 |
| LIN+4++4310738000183:EN::89' | ..thereof Article 4310738000183.. |
| QTY+12:12' | ..Delivery quantity 12 |

3. Instructions for Usage



4. Message Structure Diagramm



5. Message Structure of the Subset

UNA K 1 Presetting of Separators:

In the UNA-Segment, separators, decimal marks and release indicators are predefined. These marks are defined only once and apply to the following messages until they are revoked. Consequently, they will not be transferred furthermore.

If needed, value: +, ? ' '

: separates data elements in a data element group

+ separates segment designations, data element groups and data elements

, Decimal marker (comma)

? Release indicators, restores the original meaning of the mark that follows the release indicator.

Blank space/space character, reserved for later applications

' Segment terminator

| | | | | |
|-------------|---|--------|------------------------------------|--|
| UNB | M | 1 | Usage Data Head Segment | |
| | | | | <i>In the UNB-Segment specifications are transferred. These concern syntax, sender/recipient of the transfer file, the date and time of its creation and a data transfer reference. Optionally a password of the recipient may be transferred as well.</i> |
| S001 | M | | SYNTAX DESIGNATOR | |
| 0001 | M | a4 | Syntax Identification | |
| | | | Constant value: | |
| | | | | „UNOC“ EDIFACT Syntax Character Set C |
| 0002 | M | n1 | Syntax Version Number | |
| | | | Constant value: | |
| | | | | „3“ EDIFACT Syntax Version 3 |
| S002 | M | | SENDER OF THE INTERCHANGE FILE | |
| 0004 | M | an..35 | Sender Designation | |
| | | | | <i>Identifier of the senders (e. g. identification number in the Telebox400)</i> |
| 0007 | K | an..4 | Participant Designation, Qualifier | |
| | | | | <i>This data element serves for the definite specification of the participants. The following codes are available:</i> |
| | | | | „52“ Sender IBM/IE User „65“ Sender Telebox400 User „ZZZ“ Sender (other network operators) |
| S003 | M | | USER OF THE INTERCHANGE FILE | |
| 0010 | M | an..35 | Recipient Designation | |
| | | | | <i>Identifier of the recipient (e. g. identification number in the Telebox400)</i> |
| 0007 | K | an..4 | Participant Designation, Qualifier | |
| | | | | <i>This data element serves for the definite specification of the participants. The following codes are available:</i> |
| | | | | „52“ Sender IBM/IE User „65“ Sender Telebox400 User „ZZZ“ Sender (other network operators) |

| | | | |
|-------------|---|--------|--|
| S004 | M | | DATE/TIME OF CREATION |
| 0017 | M | n6 | Date of creation <i>Date of the creation of the message on the side of the sender. The format is YYMMDD (year, month, day; this format is dictated by the EDIFACT Syntax, Version 3).</i> |
| 0019 | M | n4 | Time of the creation <i>Format: HHMM</i> |
| 0020 | M | an..14 | DATA EXCHANGE REFERENCE <i>Number for each communication address (X.400, Provider, ...) and message type, rising in ascending order. The data exchange reference number serves as a plausibility test for the assessment of double transmissions and failed transmissions. This task is being fulfilled by the converter.</i> |
| S005 | K | | REFERENCE/PASSWORD OF THE RECIPIENT |
| 0022 | M | an..14 | Reference or password of the recipient <i>A password permits the access to the user system of the recipient. The Sender and recipient may agree upon a password bilaterally.</i> |

| | | | | |
|---|---|--------|--|---|
| UNH | M | 1 | Message Head Segment <i>In the UNH-Segment, a message is identified definitely. The ED-ITEC Subset "Notification of Delivery" is based on the message type "DESADV".</i> | |
| 0062 | M | an..14 | MESSAGE REFERENCE NUMBER <i>In each transfer file, every message is consistently numbered in ascending order, beginning with „1“. This task is being taken over by the converter.</i> | |
| S009 | M | | MESSAGE IDENTIFICATION | |
| 0065 | M | an..6 | Message Type Identification <i>Constant value:</i> <table border="1" data-bbox="491 824 1444 871"><tr><td>„DESADV“ <i>Notification of Delivery</i></td></tr></table> | „DESADV“ <i>Notification of Delivery</i> |
| „DESADV“ <i>Notification of Delivery</i> | | | | |
| 0052 | M | an..3 | Version Number of the Message Type <i>Constant value:</i> <table border="1" data-bbox="491 999 1444 1046"><tr><td>„D“ <i>Draft Directory</i></td></tr></table> | „D“ <i>Draft Directory</i> |
| „D“ <i>Draft Directory</i> | | | | |
| 0054 | M | an..3 | Release Number of the Message Type <i>Constant value:</i> <table border="1" data-bbox="491 1171 1444 1218"><tr><td>„96B“ <i>UN/EDIFACT Draft Directory D.96B</i></td></tr></table> | „96B“ <i>UN/EDIFACT Draft Directory D.96B</i> |
| „96B“ <i>UN/EDIFACT Draft Directory D.96B</i> | | | | |
| 0051 | M | an..2 | Administrative Organisation, encoded <i>Constant value:</i> <table border="1" data-bbox="491 1344 1444 1391"><tr><td>„UN“ <i>United Nations UN/ECE/TRADE/WP.4</i></td></tr></table> | „UN“ <i>United Nations UN/ECE/TRADE/WP.4</i> |
| „UN“ <i>United Nations UN/ECE/TRADE/WP.4</i> | | | | |
| 0057 | K | an..6 | Usage Code of the Organisation Concerned <i>Constant value:</i> <table border="1" data-bbox="491 1516 1444 1563"><tr><td>„ITEK32“</td></tr></table> | „ITEK32“ |
| „ITEK32“ | | | | |

BGM M 1 Beginning of Message
In the BGM-Segment, the purpose and name of the message are being defined.

C002 K DOCUMENT/MESSAGE NAME

1001 K an..3 Document/message name, encoded
The following codes are available:

| | |
|-------|---|
| „22E“ | <i>Dispatch notification on the basis of an order created by the industry</i> |
| „270“ | <i>only delivery note data</i> |
| „351“ | <i>Notification of Delivery (incl. delivery note data)</i> |

Implementation Note:

In the case of a notification of delivery on the basis of a fulfilment confirmation which was created due to an order created by the industry, the Subset ORDRSP 3.2 should be used for the transmission of the fulfilment confirmation. This and subsequent versions are the only versions that allow for the specification of partial deliveries. If an older Subset version is used, the delivery quantity will exceed the quantity ordered with the second or further notifications of deliveries. This may possibly cause problems with the automatic processing at the wholesale trade.

C106 K DOCUMENT/MESSAGE IDENTIFICATION

1004 K an..35 Document-/Message Number
Number of the document, assigned by the sender.

The transmission of multiple notifications of delivery on one day is possible.

For third-party deliveries, separate notifications of delivery will follow (varying delivery address in the NAD).

If only delivery note data not providing information concerning the packaging is being shipped, Code 270 (only delivery note data) is used.

DTM K 4 Date/Time/Period Specifications
In the DTM-Segment, the date of the shipment notification of delivery has to be indicated. In addition to that, further data may be provided.

C507 M DATE/TIME/PERIOD DATA

2005 M an..3 Date/Time/Period Specifications, Qualifier

The following codes are available:

| |
|--|
| <p>„11“ <i>Date/time of shipment (maybe date of delivery pick up)</i> „17“ <i>Definite date of delivery</i> „63“ <i>Date/time of delivery, at the latest</i> „64“ <i>Date/time of delivery, at the earliest</i> „137“ <i>Date time of the notification of delivery</i></p> |
|--|

Implementation Note:

If possible, a definite/fixed date of delivery should be transmitted. This is the only way that exact information about the arrival of the goods at the wholesale trade can be given.

2380 K an..35 Date/Time/Period Data

Date/time of the notification of delivery, formatted as defined in data element 2379.

2379 K an..3 Date/Time/Period Data, Format, Qualifier

The following codes are available:

| |
|---|
| <p>„102“ <i>Format: YYYYMMDD</i> „203“ <i>Format: YYYYMMDDHHMM</i></p> |
|---|

Segment Group 2 K 4

This segment group encompasses the NAD-Segment as well as the segment groups 3 and 4. It serves for the indication of the partners and their contact persons.

NAD M 1 Name and Address

Important data concerning the addresses and data concerning the identification of the parties involved is transferred in the NAD-Segment.

3035 M an..3 PARTNER, QUALIFIER

The following codes are available:

| | |
|------|---|
| „CA“ | Carrier |
| „ST“ | Shipping address (transport way connection) |
| „SU“ | Manufacturer (Industry) |
| „WS“ | Wholesaler |

C082 K IDENTIFICATION OF THE PARTNER**3039 M an..35 Partner Identification Number, encoded**

In relation to the Qualifier given above, the identification number of the partner (in respect) will be provided here.

1131 Is not used in Subset.

3055 K an..3 Administrative Organisation, encoded

The following codes are available:

| | |
|-------|---|
| „9“ | EAN (CCG as the German publisher of the ILN numbers) |
| „ZZZ“ | bilaterally agreed upon (Customer number, respectively supplier number) |

C058 IS NOT USED IN SUBSET.

C080 K NAME OF THE PARTNER

3036 M an..35 Name 1 of the partner
Name 1 of the partner.

3036 K an..35 Name 2 of the partner
Name 2 of the partner.

3036 K an..35 Name 3 of the partner
Name 3 of the partners.

C059 K STREET

3042 M an..35 Street and House Number
Building name/number and street name

3164 K an..35 PLACE

3229 *IS NOT USED IN THE SUBSET.*

3251 K an..9 POSTAL CODE/ZIP CODE

3207 K an..3 COUNTRY, ENCODED

The most important country codes according to ISO 3166 (the postal codes have to be given on the delivery note papers):

| | |
|------|---------------|
| „BE“ | Belgium |
| „BG“ | Bulgaria |
| „DK“ | Denmark |
| „DE“ | Germany |
| „FI“ | Finland |
| „FR“ | France |
| „GR“ | Greece |
| „GB“ | Great Britain |
| „IE“ | Ireland |
| „IT“ | Italy |
| „CA“ | Canada |
| „LU“ | Luxembourg |
| „NL“ | Netherlands |
| „NO“ | Norway |
| „AT“ | Austria |
| „PT“ | Portugal |
| „SE“ | Sweden |
| „CH“ | Switzerland |
| „ES“ | Spain |
| „TR“ | Turkey |
| „US“ | USA |

Segment Group 3 K 1

This segment group contains the RFF-Segment. The latter contains the references concerning the partner stated in the NAD-Segment.

RFF M 1 Reference Data

This segment is used for the indication of reference data concerning the partner identified in the previous NAD-Segment. This may be for example one's own identification number at the partner's as an addition to the ILN number.

The code "XA" is available for the transfer of WEEE Registration Numbers Waste Electrical and Electronic Equipment. The transfer of the WEEE Registration Number is obligatory after 11/24/05.

C506 M REFERENCE DATA**1153 M an..3 Reference, Qualifier**

Constant value:

| | |
|-------|--|
| „API“ | <i>Additional Partner Identification* (e. g. one's own identification number at the partner's)</i> |
| „XA“ | <i>Company/place registration number (as demanded by law)</i> |

**Code does not correspond to any UN/ EDIFACT code list.*

1154 K an..35 Reference Number**Segment Group 3 End**

Segment Group 4 K 1

This segment group contains the CTA-Segment for the indication of the contact person and the COM-Segment for the indication of the communication connection.

CTA M 1 Contact Information

For both sender and recipient each, the name of an official in charge of this process may be transferred in the CTA-Segment.

3139 *IS NOT USED IN THE SUBSET.*

C056 K DEPARTMENT OR OFFICIAL IN CHARGE DATA

3413 *Is not used in the subset.*

3412 K an..35 Department or Official in Charge
Name of the official in charge or the department.

COM K 4 Communication Connection

A Segment for the indication of the communication number and type of the official in charge or the department referred to in the CTA-Segment.

C076 M COMMUNICATION CONNECTION

3148 M an..512 Communication Number

3155 M an..3 Communication Channel/Service, Qualifier
The following codes are available:

| | |
|------|---------------------------------------|
| „AH“ | Internet address (URL/World Wide Web) |
| „EM“ | E-Mail |
| „FX“ | Facsimile |
| „TE“ | Telephone |

Segment Group 4 End

Segment Group 2 End

Segment Group 6 K 1

This segment group contains the TDT-Segment for the indication of transport data.

TDT M 1 Transport Data

In the TDT-Segment, the mode of transportation may be transferred.

8051 M AN..3 Transport Data, Qualifier

Constant value:

| |
|-----------------------|
| „13“ <i>Transport</i> |
|-----------------------|

8028 K an..17 TRANSPORT NUMBER

Definite Number which is assigned by the freight carrier.

C220 K MODE OF TRANSPORTATION**8067 K an..3 Mode of transportation, encoded**

The following codes are available:

| | |
|------|---|
| „10“ | <i>Sea freight</i> |
| „20“ | <i>Transportation by rail</i> |
| „30“ | <i>Road transportation/Road haulage</i> |
| „40“ | <i>Air transportation</i> |
| „50“ | <i>Mail (Parcel Service)</i> |
| „60“ | <i>Multi modal transportation/Combined transportation</i> |
| „90“ | <i>Pickup/Pickup by the customer</i> |

C228 K MEANS OF TRANSPORTATION**8179 K an..8 Kind/Type of the means of transportation, Identification**

The following codes are available:

| | |
|-------|---|
| „31“ | <i>HGV (heavy goods vehicle - Lorry/Truck;)</i> |
| „31S“ | <i>HGV (freight forwarder/forwarding agent) *</i> |
| „51“ | <i>Parcel service*</i> |
| „52“ | <i>Expedited service*</i> |

*The codes marked with a * do not correspond to any UN/ EDI-FACT code list.*

| | | | |
|------------------------|---|--------|--|
| C040 | K | | FREIGHT CARRIER |
| 3127 | K | an..17 | Freight Carrier, Identification <i>e. g. ILN of the freight carrier.</i> |
| 1131 | | | <i>Is not used in the subset.</i> |
| 3055 | K | an..3 | Administrative Organisation, encoded <i>The following codes are available:</i> |
| | | | <i>„9“ EAN (CCG as the German publisher of the ILN numbers)</i> <i>„ZZZ“ bilaterally agreed upon (e. g. freight carrier number)</i> |
| 3128 | K | an..35 | Freight Carrier, name <i>Name of the freight carrier in plaintext.</i> |
| 8101 | | | <i>IS NOT USED IN THE SUBSET.</i> |
| C401 | | | <i>IS NOT USED IN THE SUBSET.</i> |
| C222 | K | | MEANS OF TRANSPORTATION-IDENTIFICATION |
| 8213 | K | an..9 | Identification of the means of transportation, Identification <i>For example: license/licence plate number of an HGV.</i> |
| 1131 | | | <i>Is not used in the subset.</i> |
| 3055 | | | <i>Is not used in the subset.</i> |
| 8212 | K | an..35 | Identification of the means of transport <i>Identification of the means of transport in plaintext.</i> |
| Segment Group 6 | | | End |

Segment Group 10 K 9999

This segment group contains the CPS-Segment and the segment group 11, 13, 14, 15, 16 and 23. It contains information about all levels of packaging and the singular items of the shipping. This segment group is able to display the hierarchy of packaging, describing the structure of packaging from the outer to the inner level of packaging. The information concerning the inner level of packaging is followed by detailed data concerning the products.

CPS M 1 Hierarchy of Packaging of a Shipment

This segment is used to provide the succession of packages of a shipment.

7164 M an..12 HIERARCHICAL IDENTIFICATION NUMBER

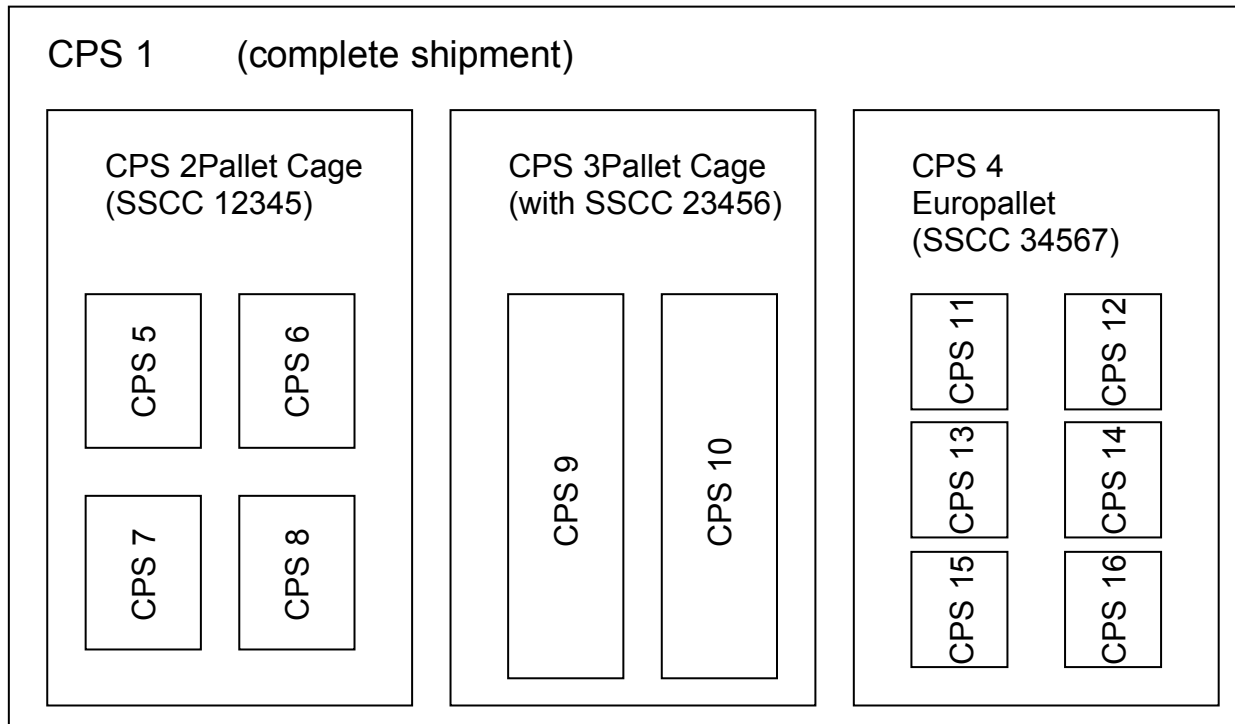
A sender provided definite number for the identification of a level within a hierarchic structure. At least one level of hierarchy has to be stated. If a hierarchy is not necessary, one level will be used for the whole of the shipment (successive number of the packaging hierarchy).

7166 K an..12 HIERARCHICAL IDENTIFICATION OF SMALL UNIT

Identification number of the next higher level in a hierarchic structure.

See page 21 for a graphic for the clarification of this procedure.

Hierarchies are displayed firstly in vertical and secondly in horizontal order. (Graphic for the clarification of the procedure):



CPS+1

CPS+2+1
PAC+1++CH

(CPS 2 is contained in the hierarchy CPS 1)
(Packaging: pallet cage)

GIN+BJ+12345.. (SSCC)

CPS+5+2...
CPS+6+2...
CPS+7+2...
CPS+8+2...

CPS+3+1
PAC+1++CH

GIN+BJ+23456.. (SSCC)

CPS+9+3...
CPS+10+3...

CPS+4+1
PAC+1++PN

GIN+BJ+34567.. (SSCC)

CPS+11+4...
CPS+12+4...
CPS+13+4...
CPS+14+4...etc.

Segment Group 11 K 9999

This segment group contains the segments PAC and MEA as well as the segment group 13 and 14. Therein, the way of packaging, is actual physical measures, marks and package numbers, quantities, information about date, time and the packaging on this level are provided.

PAC M 1 Package / Packaging

This segment may be used to indicate per hierarchical level the complete number of a shipment's packages as defined in the CPS- Segment. The content of each package is consequently described in the following LIN Segments.

7224 K n..8 NUMBER OF PACKAGES

Number of packages on this hierarchical level.

C531 *IS NOT USED IN THE SUBSET.*

C202 K WAY OF PACKAGING**7065 K an..17 Way of packaging, identification**

The following codes are available:

| |
|--------------------------------------|
| <i>„BB“ Roll</i> |
| <i>„BG“ Bag</i> |
| <i>„BH“ Tie/Bundle</i> |
| <i>„BK“ Basket</i> |
| <i>„CF“ Box (open on the upside)</i> |
| <i>„CG“ Cage</i> |
| <i>„CH“ Pallet Cage</i> |
| <i>„CT“ Cardboard</i> |
| <i>„PA“ Packet/Small parcel</i> |
| <i>„PC“ Parcel/Package</i> |
| <i>„PG“ non-returnable pallet</i> |
| <i>„PN“ Europallet</i> |
| <i>„PU“ Box (closed)</i> |
| <i>„SC“ Mixed pallet</i> |
| <i>„TU“ Tube</i> |

C402 *IS NOT USED.*

C532 K RETURNABLE PACKAGINGS8395 *Is not used in Subset.***8393** K an..3 Freight content of returnable packaging, encoded*Constant value:*

| | |
|-----|--|
| „3“ | <i>Designation for an empty packaging, indicating that the packaging has to be returned.</i> |
|-----|--|

MEA K 5 Measures and Weights*Data about the packaging.***6311** M an..3 MEASURE DATA, USAGE QUALIFIER*Constant value:*

| | |
|-------|-------------------------|
| „AAE“ | <i>for measurements</i> |
|-------|-------------------------|

C502 K MEASURE DATA**6313** K an..3 Measure Data, in dimensions, encoded*The following codes are available:*

| | |
|-------|-------------------------|
| „AAI“ | <i>Fill up quantity</i> |
| „ABJ“ | <i>Volume</i> |
| „BW“ | <i>Weight</i> |
| „DI“ | <i>Diameter</i> |
| „DP“ | <i>Depth</i> |
| „DW“ | <i>Width left</i> |
| „FN“ | <i>Surface area</i> |
| „HT“ | <i>Height</i> |
| „LN“ | <i>Length</i> |
| „VW“ | <i>Width right</i> |
| „WD“ | <i>Width</i> |

C174 K MEASURE DATA AND VARIATIONS**6411** M an..3 Unit of Measurement, Qualifier

The following codes are available:

| | |
|-------|-------------------|
| „CMK“ | Square centimetre |
| „CMQ“ | Cubic centimetre/ |
| „CMT“ | Centimetre |
| „DZN“ | Dozen |
| „GRM“ | Gramme |
| „HLT“ | Hectolitre |
| „KGM“ | Kilogramme |
| „KTM“ | Kilometre |
| „LTR“ | Litre |
| „MMT“ | Millimetre |
| „MTK“ | Square metre |
| „MTQ“ | Cubic metre |
| „MTR“ | Metre |
| „PCE“ | Piece |
| „PR“ | Pair |
| „SET“ | Set |
| „TNE“ | Tonne |

6314 K n..18 Measure value

Measure value with a maximum of three positions after decimal point.

Segment Group 13 K 2

This segment group contains the PCI-Segment and segment group 14. The group provides information about markings, the (logistic) meaning of labels.

PCI M 1 Package Designation

The PCI-Segment contains information concerning markings and labels of packaging unit and level, which are provided in the PAC-Segment.

4233 K an..3 MARKING NOTES, ENCODED

The following codes are available:

| | |
|--------------|---|
| <i>„33E“</i> | <i>Indicated by the Serial Shipping Container Code (SSCC)</i> |
| | <i>– bar code*</i> |
| <i>„12“</i> | <i>Package number of the supplier (individual)</i> |
| | <i>– no bar code*</i> |

*The codes marked with * do not correspond to any UN/ EDIFACT code list.*

Segment Group 14 K 1

This segment group contains the GIN-Segment which provides the packaging identification numbers (e. g. the serial shipping container code).

GIN M 1 Goods Identification Number

This segment contains identification numbers belonging to the packaging unit and level defined in the PAC-Segment.

7405 M an..3 IDENTIFIKATIONSNUMMER, QUALIFIER

The following codes are available:

| | |
|------|---|
| „BJ“ | Serial Shipping Container Code (SSCC) – bar code |
| „ML“ | Packaging number of supplier (individual) – no bar code |

C208 M IDENTIFICATION NUMBER**7402 M an..35 Identification Number**

Segment Group 14 End

Segment Group 13 End

Segment Group 11 End

Segment Group 15 K 9999

This segment group contains the segments LIN, PIA, QTY and DTM as well as the segment groups 16 and 23. They provide data concerning the shipped articles (line items).

LIN M 1 Line Item Number

This segment identifies the delivered item.

1082 K n..6 ITEM NUMBER

The items of the shipment confirmation/announcement of delivery are consecutively numbered throughout the whole message.

1229 *IS NOT USED IN THE SUBSET.*

C212 K PRODUCT IDENTIFICATION

7140 K an..35 Goods Number or Service Number

Article number of the supplier.

7143 K an..3 Type of Goods Number or Service Number, encoded

The following codes are available:

| |
|----------|
| „EN“ EAN |
|----------|

| |
|----------------------------------|
| „MF“ Manufacturer article number |
|----------------------------------|

The article number transferred is the one transferred in the order (EAN or Manufacturer article number).

| | | | | |
|---|---|--------|---|---|
| PIA | K | 10 | Additional Product Identification <i>This segment is used for the indication of additional product identification concerning the line item.</i> | |
| 4347 | M | an..3 | PRODUCT IDENTIFICATION FUNCTION, ENCODED <i>Constant value:</i> <table border="1" data-bbox="491 488 1444 526"><tr><td>„1“ Additional Identification</td></tr></table> | „1“ Additional Identification |
| „1“ Additional Identification | | | | |
| C212 | M | | PRODUCT IDENTIFICATION | |
| 7140 | K | an..35 | Goods Number or Service Number <i>Number corresponding to the product.</i> | |
| 7143 | K | an..3 | Goods Number or Service Number, encoded <i>The following codes are available:</i> <table border="1" data-bbox="491 846 1444 1019"><tr><td>„NB“ Charge number „SN“ Serial number „SNe“ First serial number (Series of serial numbers)* „SNI“ Last serial number (Series of serial numbers)*</td></tr></table> <i>The codes marked with * do not correspond to any UN/ EDIFACT code list.</i> | „NB“ Charge number „SN“ Serial number „SNe“ First serial number (Series of serial numbers)* „SNI“ Last serial number (Series of serial numbers)* |
| „NB“ Charge number „SN“ Serial number „SNe“ First serial number (Series of serial numbers)* „SNI“ Last serial number (Series of serial numbers)* | | | | |
| 1131 | | | <i>Is not used in the subset.</i> | |
| 3055 | K | an..35 | Administrative Organisation, encoded <i>Constant value:</i> <table border="1" data-bbox="491 1299 1444 1337"><tr><td>„89“ Administrative organisation ITEK</td></tr></table> | „89“ Administrative organisation ITEK |
| „89“ Administrative organisation ITEK | | | | |
| C212 | K | | PRODUCT IDENTIFICATION | |
| 7140 | K | an..35 | Goods Number or Service Number <i>Number corresponding to the product.</i> | |
| 7143 | K | an..3 | Goods Number or Service Number, encoded <i>The following codes are available:</i> <table border="1" data-bbox="491 1664 1444 1836"><tr><td>„NB“ Charge number „SN“ Serial number „SNe“ First serial number (Series of serial numbers)* „SNI“ Last serial number (Series of serial numbers)*</td></tr></table> <i>The codes marked with * do not correspond to any UN/ EDIFACT code list.</i> | „NB“ Charge number „SN“ Serial number „SNe“ First serial number (Series of serial numbers)* „SNI“ Last serial number (Series of serial numbers)* |
| „NB“ Charge number „SN“ Serial number „SNe“ First serial number (Series of serial numbers)* „SNI“ Last serial number (Series of serial numbers)* | | | | |
| 1131 | | | <i>Is not used in the subset.</i> | |

3055 K an..35 Administrative Organisation, encoded.

Constant value:

„89“ *Administrative organisation ITEK*

C212 K PRODUCT IDENTIFICATION

7140 K an..35 Goods Number or Service Number
Number corresponding to the product.

7143 K an..3 Goods Number or Service Number, encoded
The following codes are available:

„NB“ *Charge number*
„SN“ *Serial number*
„SNe“ *First serial number (Series of serial numbers)**
„SNI“ *Last serial number (Series of serial numbers)**

*The codes marked with * do not correspond to any UN/ EDIFACT code list.*

1131 *Is not used in the subset.*

3055 K an..35 Administrative Organisation, encoded

Constant value:

„89“ *Administrative organisation ITEK*

C212 K PRODUCT IDENTIFICATION

7140 K an..35 Goods Number or Service Number
Number corresponding to the product.

7143 K an..3 Goods Number or Service Number, encoded
The following codes are available:

„NB“ *Charge number*
„SN“ *Serial number*
„SNe“ *First serial number (Series of serial numbers)**
„SNI“ *Last serial number (Series of serial numbers)**

*The codes marked with * do not correspond to any UN/ EDIFACT code list.*

1131 *Is not used in the subset.*

3055 K an..35 Administrative Organisation, encoded

Constant value:

„89“ *Administrative organisation ITEK*

C212 K PRODUCT IDENTIFICATION

7140 K an..35 Goods Number or Service Number
Number corresponding to the product.

7143 K an..3 Goods Number or Service Number, encoded
The following codes are available:

| |
|---|
| <p>„NB“ Charge number „SN“ Serial number „SNe“ First serial number (Series of serial numbers)* „SNI“ Last serial number (Series of serial numbers)*</p> |
|---|

*The codes marked with * do not correspond to any UN/ EDIFACT code list.*

1131 *Is not used in the subset.*

3055 K an..35 Administrative Organisation, encoded
Constant value:

| |
|--|
| <p>„89“ Administrative organisation ITEK</p> |
|--|

QTY K 1 Quantity
Information about the quantity to deliver and its measuring unit is transferred in the QTY-Segment.

C186 M Quantity

6063 M an..3 Quantity, Qualifier
Constant value:

| |
|------------------------|
| „12“ Quantity provided |
|------------------------|

6060 M n..15 Quantity
Quantity with a maximum of three positions after decimal point.

6411 K an..3 Measuring Unit, Qualifier
The following codes are available:

| | |
|-------|-------------------|
| „CMK“ | Square centimetre |
| „CMQ“ | Cubic centimetre |
| „CMT“ | Centimetre |
| „DZN“ | Dozen |
| „GRM“ | Gramme |
| „HLT“ | Hectolitre |
| „KGM“ | Kilogramme |
| „KTM“ | Kilometre |
| „LTR“ | Litre |
| „MMT“ | Millimetre |
| „MTK“ | Square metre |
| „MTQ“ | Cubic metre |
| „MTR“ | Metre |
| „PCE“ | Piece |
| „PR“ | Pair |
| „SET“ | Set |
| „TNE“ | Tonne |

Implementation Note:

The unit of quantity in the systems of industry and wholesale trade should correspond to each other. For this purpose, a previous comparison and matching of master data is recommended.

Segment Group 16 K 6

This segment group contains the RFF-Segment. The group contains references to the singular line items.

RFF M 1 Reference Data

This segment serves for the indication of all references relating exclusively for the item/position.

C506 M REFERENCE**1153 M an..3 Reference, Qualifier**

The following codes are available:

| | |
|-------|---|
| „AAJ“ | <i>Delivery note number</i> |
| „AAS“ | <i>Store number</i> |
| „FI“ | <i>Item number of the delivery note</i> |
| „LI“ | <i>Item number of the order</i> |
| „VN“ | <i>Purchase order number of the wholesaler</i> |
| „AAK“ | <i>Dispatch notification number of the supplier</i> |

1154 K an..35 Reference Number**Segment Group 16 End**

Segment Group 23 K 1

This segment group contains the segments QVR and DTM for the indication of variations in quantity and the corresponding data concerning the date.

QVR M 1 Quantity Variations

Partial deliveries and over-deliveries are indicated here.

C279 K INFORMATION ABOUT VARIATION IN QUANTITY

6064 M n..15 Variation in Quantity

Quantity with a maximum of three positions after decimal point.

6063 K an..3 Quantity, Qualifier

Constant value:

| |
|-----------------------|
| „21“ ordered quantity |
|-----------------------|

4221 K an..3 REASON OF VARIATION IN DELIVERY QUANTITY, ENCODED

The following codes are available:

| |
|---|
| „AC“ Over-delivery compared to ordered quantity |
|---|

| |
|--|
| „BP“ Partial delivery, subsequent delivery follows |
|--|

| |
|--|
| „CP“ Partial delivery seen as completion, no further subsequent delivery |
|--|

In this segment, the deviation between delivered and ordered quantity is provided.

DTM K 1 Date/Time/Period Specifications
This segment is used for the indication of the date which affects the variations in quantity as they were defined in the previous QVR-Segment.

C507 M DATE/TIME/PERIOD SPECIFICATIONS

2005 M an..3 Date/Time/Period Specifications, Qualifier
Constant value:

| |
|---|
| „58E“ <i>Date/time of subsequent delivery *</i> |
|---|

**Code does not correspond to any UN/ EDIFACT code list.*

2380 K an..35 Date/Time/Period Specifications
Date, formatted as indicated in data element 2379.

2379 K an..3 Date/Time/Period Specifications, Format, Qualifier
The following codes are available:

| |
|-------------------------------|
| „102“ <i>Format: YYYYMMDD</i> |
|-------------------------------|

| |
|-----------------------------|
| „616“ <i>Format: YYYYWW</i> |
|-----------------------------|

Segment Group 23 End

Segment Group 15 End

Segment Group 10 End

| | | |
|-------------|----------|---|
| UNT | M 1 | Message End Segment <i>In the UNT-Segment, the number of segments and a message reference number are transferred for the purpose of a plausibility check.</i> |
| 0074 | M n..6 | NUMBER OF THE SEGMENTS IN A MESSAGE <i>The number of the segments transferred with this message, including the segments UNH and UNT.</i> |
| 0062 | M an..14 | MESSAGE REFERENCE NUMBER <i>Here, the same reference number as in UNH-0062 has to be registered. This number will be compared with the entry in the UNH-Segment at the state of this message's reception.</i> |

| | | |
|-------------|----------|--|
| UNZ | M 1 | User Data – End Segment <i>In the UNZ-Segment, a data exchange counter as well as a data exchange reference may be transferred.</i> |
| 0036 | M n..6 | DATA EXCHANGE COUNTER <i>Here, the number of messages in the frame of usage data UNB... UNZ is registered.</i> |
| 0020 | M an..14 | DATA EXCHANGE REFERENCE <i>Here, the same reference number as in UNB/0020 has to be registered. This number will be compared with the entry in the UNB-Segment at the state of this message's reception.</i> |